

TRIMBLE MULTITRACK TARGET

QUICK START GUIDE

The Trimble® MultiTrack™ target is a 360° active target designed to be used for robotic surveying.

The Trimble MultiTrack target has two 360° active LED rings for tracking and one 360° prism ring for distance measurements.

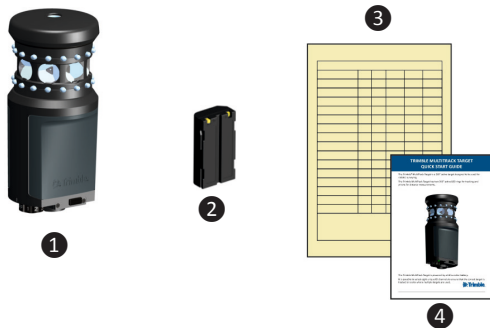


The Trimble MultiTrack target is powered by a lithium-ion battery.

It is possible to select eight unique ID channels to ensure that the correct target is tracked on a site where multiple targets are used.

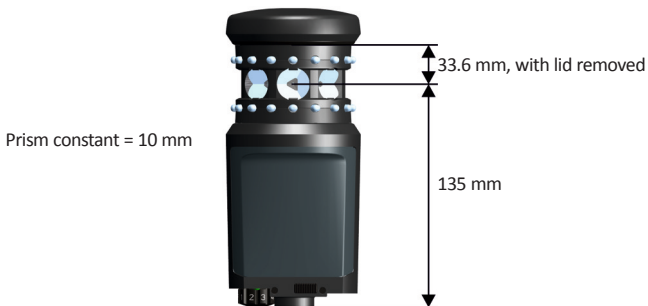


In the box



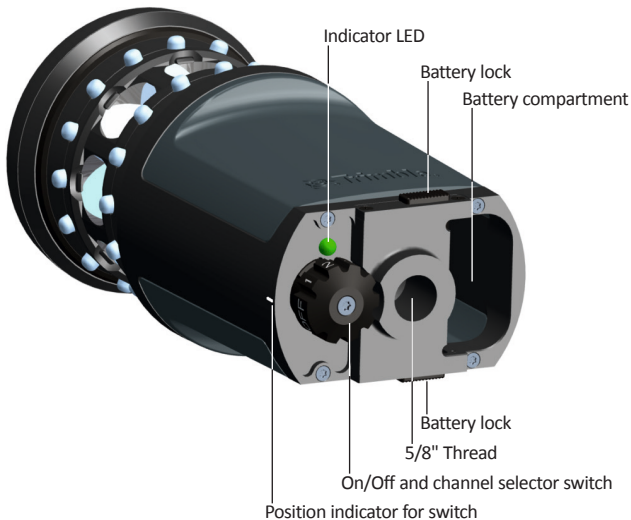
Item	Description	Item	Description
1	Trimble MultiTrack target	3	China RoHS table
2	Battery lithium-ion 7.4V	4	Quick Start Guide (this document)

Measurements



Features






Battery

Charging the battery

The rechargeable lithium-ion battery is supplied partially charged. Before using the battery for the first time, charge it completely using a Trimble battery charger (not included).

 **WARNING** – Before charging the lithium-ion battery, please make sure that you have read and understand the battery safety information in this document.

Inserting and removing the battery

To insert the battery, push the battery into the battery compartment (1), with the battery connectors (2) facing upwards and inwards, until the battery locks in place.

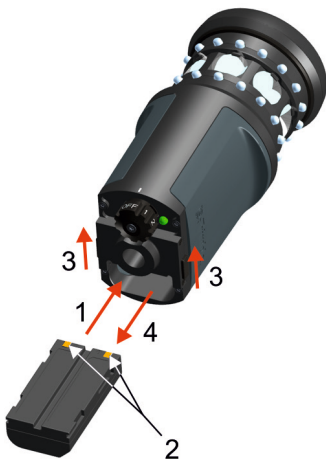
To remove the battery, slide the battery locks open (3). The battery can now slide out of the battery compartment (4).

Operation of the MultiTrack target

To start the MultiTrack target, turn the On/Off and channel selector switch from the off position to one of the eight channel positions.

To stop the MultiTrack target, turn the On/Off and channel selector switch to the off position.

The Trimble MultiTrack target provides active tracking for up to 8 hours from one fully charged battery. When the indicator LED starts to flash the battery has approximately 40 minutes operation time remaining.



Mode	Indicator LED	Description
Off	Off	
On	Solid	On and one of eight channels selected.
Battery low	Flashing	Battery low

Note – The accuracy specification for Active mode is valid within 15° from horizontal. For vertical angles outside of this range Trimble recommends to use passive mode or to use a tiltable target to ensure the most precise results.

Regulatory information

Europe

This product has been tested and found to comply with relevant requirements pursuant to European Council Directive, thereby satisfying the requirements for CE Marking and sale within the European Economic Area (EEA). These requirements are designed to provide reasonable protection against harmful interference when the equipment is operated in a residential or commercial environment.



Applicable directives:

- EMC Directive 2014/30/EU
- RoHS Directive 2011/65/EU

Notice to our European Customers

For product recycling instructions and more information, please go to:

http://www.trimble.com/Corporate/Environmental_Compliance.aspx

Recycling in Europe: To recycle Trimble batteries and WEEE (Waste Electrical and Electronic Equipment, products that run on electrical power.),

Call +31 497 53 24 21 or mail a request for recycling instructions to:

Trimble Europe BV

c/o Menlo Worldwide Logistics

Meerheide 45

5521 DZ Eersel, NL



USA

This device complies with part 15 of the FCC rules. Operation is subject to the following two conditions: (1) This device may not cause harmful interference and (2) this device must accept any interference received, including interference that may cause undesired operation

Note – This equipment has been tested and found to comply with the limits for a Class B digital device, pursuant to part 15 of the FCC Rules. These limits are designed to provide reasonable protection against harmful interference in a residential installation. This equipment generates, uses and can radiate radio frequency energy and, if not installed and used in accordance with the instructions, may cause harmful interference to radio communications. However, there is no guarantee that interference will not occur in a particular installation.

If this equipment does cause harmful interference to radio or television reception, which can be determined by turning the equipment off and on, the user is encouraged to try to correct the interference by one or more of the following measures:

- Reorient or relocate the receiving antenna.
- Increase the separation between the equipment and receiver.
- Connect the equipment into an outlet on a circuit different from that to which the receiver is connected.
- Consult the dealer or an experienced radio/TV technician for help.



CAUTION – Changes or modifications not expressly approved by the manufacturer could void the user's authority to operate the equipment.

Canada

CAN-ICES-3(B)/NMB-3(B)

Safety information


Before using the MultiTrack target, make sure that you have read and understand this document, as well as all equipment and job site safety requirements.

Battery safety information




WARNING – Do not damage the rechargeable Lithium-ion battery. A damaged battery can cause an explosion or fire, and can result in personal injury and/or property damage. To prevent injury or damage:

- Do not use or charge the battery if it appears to be damaged. Signs of damage include, but are not limited to, discoloration, warping, and leaking battery fluid.
 - Do not expose the battery to fire, high temperature, or direct sunlight.
 - Do not immerse the battery in water.
 - Do not use or store the battery inside a vehicle during hot weather.
 - Do not drop or puncture the battery.
 - Do not open the battery or short-circuit its contacts.
-

 **WARNING** – Avoid contact with the rechargeable Lithium-ion battery if it appears to be leaking. Battery fluid is corrosive, and contact with it can result in personal injury and/or property damage. To prevent injury or damage:

- If the battery leaks, avoid contact with the battery fluid.
 - If battery fluid gets into your eyes, immediately rinse your eyes with clean water and seek medical attention. Do not rub your eyes!.
 - If battery fluid gets onto your skin or clothing, immediately use clean water to wash off the battery fluid. If skin irritation or pain persists, seek medical attention.
-

 **WARNING** – Charge and use the rechargeable Lithium-ion battery only in strict accordance with the instructions. Charging or using the battery in unauthorized equipment can cause an explosion or fire, and can result in personal injury and/or equipment damage. To prevent injury or damage:

- Do not charge or use the battery if it appears to be damaged or leaking.
 - Charge the Lithium-ion battery only in a Trimble product that is specified to charge it. Be sure to follow all instructions that are provided with the battery charger.
 - Discontinue charging a battery that gives off extreme heat or a burning odor.
 - Use the battery only in Trimble equipment that is specified to use it.
 - Use the battery only for its intended use and according to the instructions in the product documentation.
 - Cover battery terminals with proper insulating tape before disposal to avoid heat generation by an inadvertent short-circuit.
-

Additional information

The original document is written in English. All documents in other languages are translations from the original English document. For more information and information in other languages, go to www.trimble.com.

© 2016, Trimble Navigation Limited. All rights reserved. Trimble and the Globe and Triangle logo are trademarks of Trimble Navigation Limited, registered in the United States and in other countries. MultiTrack is a trademark of Trimble Navigation Limited. All other trademarks are the property of their respective owners.



P/N 57006013-ENG

REV A

